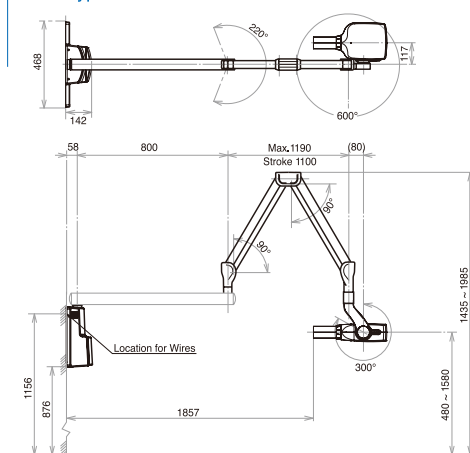


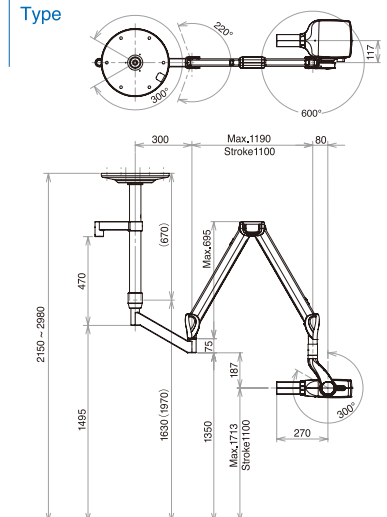
BELRAY II 097 Intraoral X-Ray

Dimensions

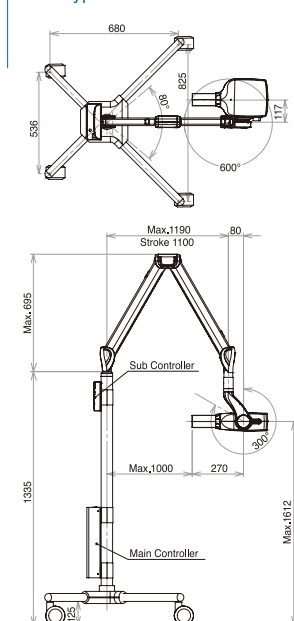
WK Type



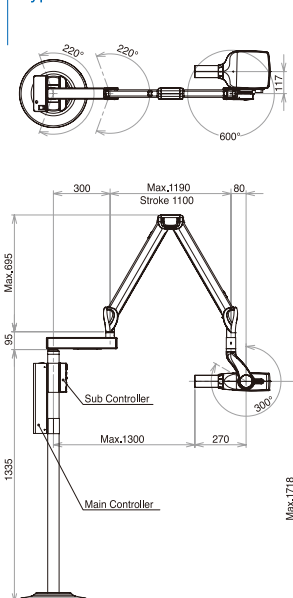
CK / CKL Type



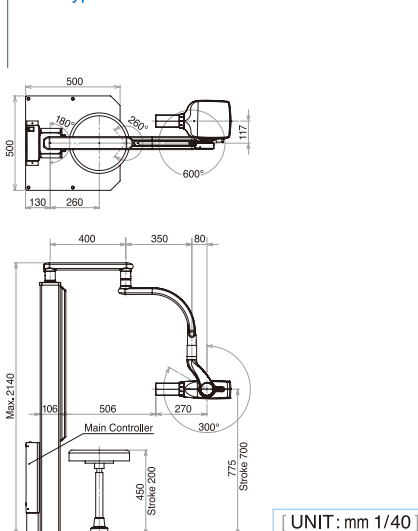
FM Type



FK1 / FK2 Type



RK Type



[UNIT : mm 1/40]

Specifications

Nominal focal spot value	0.7 mm (IEC60336)
Rated peak tube potential	70 kV
Rated tube current	4 mA / 7 mA (selectable)
Rated line voltage	100 / 110 / 120 / 220 / 230 / 240 V AC 50 / 60 Hz
Rated line current	7.8 A (100 / 110 V) at 70 kV / 7 mA
	6.5 A (120 V) at 70 kV / 7 mA
	3.4 A (220 / 230 / 240 V) at 70 kV / 7 mA
Line voltage range	± 10 %
Exposure time	0.02 ~ 3.2 sec
Minimum filtration permanently in useful beam	2.2mAl equivalent at 70 kV (peak)
Source to skin distance	Regular cone : 204 mm
	Long cone (option) : 305 mm
Duty cycle	1:50 (0.5 sec. exposure with 25 sec. interval)
Density program	Film : 16 settings (F.00 ~ F.15)
	Digital sensor : 16 settings (d.00 ~ d.15)

The manufacturers reserve the right to alter and improve the specification without notice.

Belmont

TAKARA BELMONT CORPORATION
 2-1-1, Higashishinsaibashi, Chuo-ku, Osaka, 542-0083, Japan
 TEL : +81 (0)6 6213 5945
 FAX : +81 (0)6 6212 3680
<http://www.takara-net.com>

BOOK NO. D-011
 Printed in Japan 1111MA

Intraoral X-Ray

BELRAY II 097



Belmont

BELRAY II 097 Intraoral X-Ray

Cristal Clear Digital or Film Diagnostic Images Plain and Simple

BELRAYII 097 AC X-ray delivers reproducible high contrast periapical radiographs with simple operations, intuitive controls for exposure parameter settings.

Compatible with digital imaging systems and Pre-programmed timer is selectable 16 speeds (d.00 ~ d.15) for digital imaging.

Compact microprocessor control module

Select tooth type, patient type and press exposure switch. Compact microprocessor control module can be operated easily to select correct exposure parameters.



Digital Imaging Switch

BELRAYII 097 is compatible with digital imaging radiographic systems; A total of 16 speeds (d.00~d15) are available and the setting can be memorized to 'D' digital imaging switch according to digital imaging sensors.



Film Speed Selection Switch

BELRAYII 097 provide 16 different film speeds (F.00~F15) and any two of them can be memorized to (a & b) for easy selection.



4mA and 7mA Selection Switch

BELRAYII 097 is only one AC X-ray equipped with dual tube current 4mA / 7mA and corresponds to the high sensitivity digital sensor.



● Small type

● Wide type



Available with wide or small mounting plate for WK Type, wide mounting plate comes with side covers.

Control module can be installed on wall or on the central power console.



Design for tube head, Easy grip and positioning



● Regular cone

Standard Features:

- *Crisp digital or film radiographic imaging
- *Easy to use, intuitive controls
- *Digital imaging switch
- *Compact control module
- *Control module can be mounted on central power console or on a wall
- *70 kVp tube potential
- *Selectable tube current : 4 mA, 7 mA
- *Small 0.7mm focal spot for detailed images

BELRAYII 097 X-Ray can be mounted in five different variations including wall, ceiling, room, mobile, floor and enables the installation corresponding to the hospital or clinic.



Option

- Length of Horizontal arm for WK Type Available with 300mm, 500mm, 650mm, 800mm and 1000mm horizontal arm length. (Standard 800mm)
- Length of ceiling pole for CK & CKL Type Available with 520mm ~ 1350mm ceiling pole length
- Light mounting arm for Belmont dental light (CKL Type)
- Hand exposure switch (Standard for FK1 and FM Type)
- Long cone (Source to skin distance 305mm)

