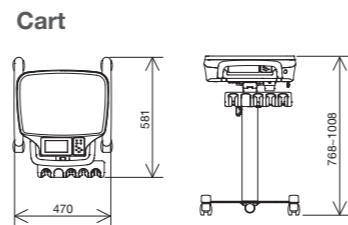
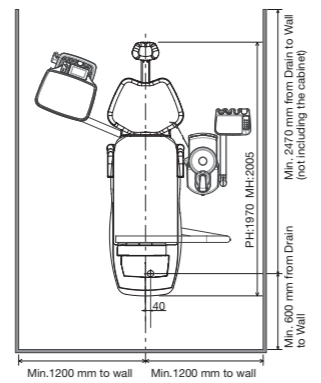
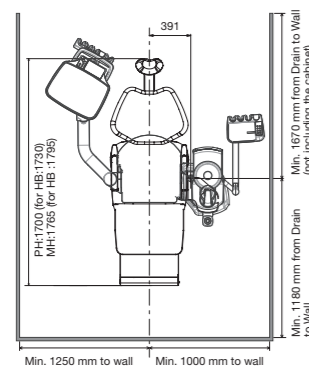
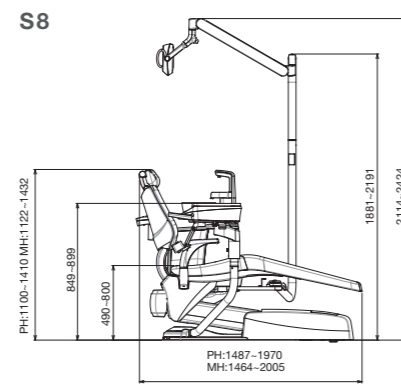
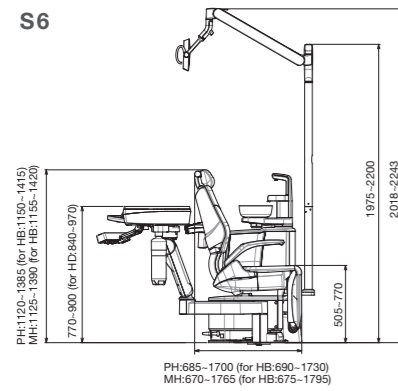
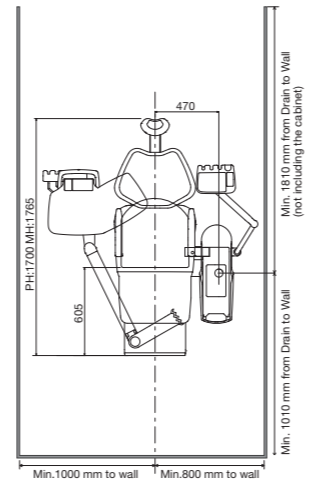
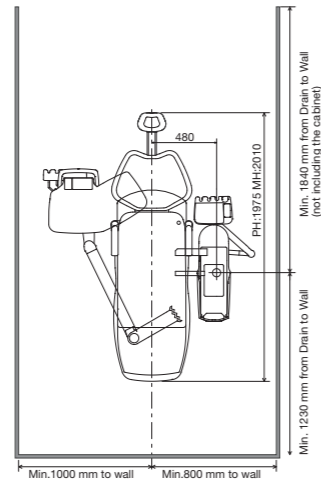
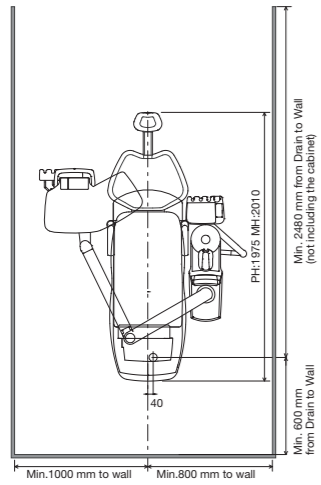
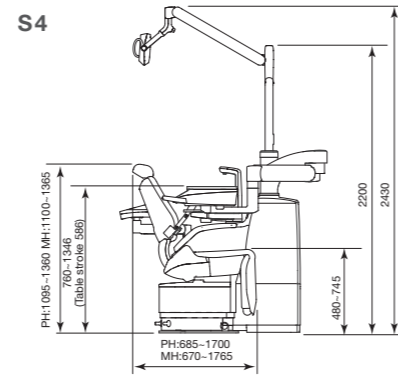
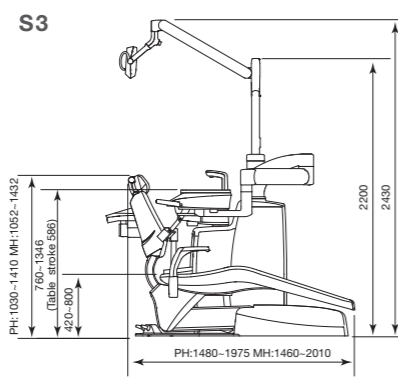
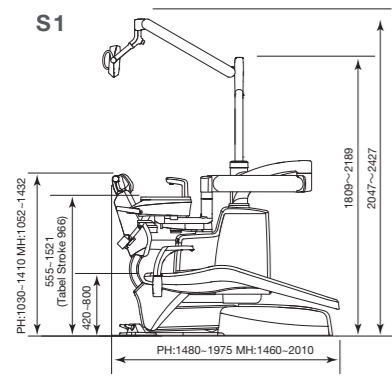


Dimensions



PH: Power Headrest | MH: Manual Headrest | HB: High Backrest spec. | HD: High Dr. Table spec.

EURUS Options & Accessories

EURUS Options & Accessories

● Standard | ○ Selectable | - Not available | HD Holder type only | D Pedestal type only | RD Rod type only | CR Cart type only | F/C Foot Controller

Chair



Twin-axis headrest

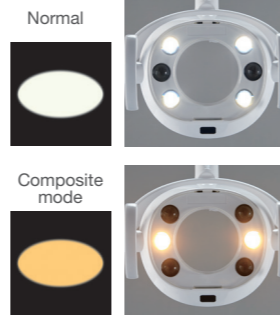


Power headrest

Light



Patient mirror



Normal

Composite mode

Dentist Element



Holder type



Rod type



Place type



Cart (Holder type)



Table handle cover (Holder/Place type)



Table handle cover (Rod type)



Syringe Belmont BT14 & 77



Wireless foot controller

Unit Body



High-volume evacuator handpiece & Saliva ejector Belmont & Dürr



Twin suction (two solid correctors)



Sensored cupfiller



LED indicator



Separated junction box



Monitor bracket (not incl. monitor)



Suction line clean system



Flushing system (integrated type)

Chair	S1 & S3 Contour	S4 Folding legrest	S6 Folding legrest	S8 Contour
Twin-axis headrest	○	○	○	○
Power headrest	○	○	○	○
Armrest at left side only (fixed)	○	-	-	-
Armrest at both side, left side fixed & right side rotated	○	-	●	-
Armrest at both sides rotated	-	●	-	●
Integrated stick switch (1 control)	-	-	-	○ / F/C
Integrated stick switch (2 controls, manual & auto mode chair switch)	○	-	○	○ / F/C
Integrated stick switch (3 controls, manual x2 & auto mode chair switch)	-	○	-	-
Integrated stick switch (3 controls, manual & auto mode chair switch & power headrest)	○	○	○	-
Upholstery seam type	○	○	○	○
Upholstery luxury seam type	○	○	○	○
Upholstery seamless type	○	○	○	○

Dentist Element	S1 & S3 & S4	S6 & S8
Touch panel screen, 5 inch	●	●
Protection sheet for touch panel	○	○
Table handle cover	○	○
Small table with silicon mat	● / CR	●
Large table with silicon mat	●	○ / S6 BM only
Small size tray holder (size: 290 x 190 mm)	○ / RD	-
Large size tray holder (size: 380 x 290 mm)	○ / RD	-
Autoclavable holder outlet	○ / HD	○ / HD
3-way syringe	○	○
6-way syringe	○	○
Midwest 4 holes turbine hose	○	○
Midwest 4 holes turbine hose with fiber optic	○	○
Micromotor (air/electric)	○	○
Scaler (air/electric)	○	○
Water heater for handpiece	○	○
Foot controller (wired)	○	○
Foot controller (wireless)	○	○
Intra oral camera	○	○
USB port	○	○
Stainless waste receptacle & cotton container with stand/ vials x 5 pcs with stand	○	○
Intra oral film viewer	○	○
Panorama film viewer	○	○
Monitor bracket	-	○ / S6 BM only
Curing light	○	○

Assistant Element	Standard	VacPac (S6&S8 only)
Standard type assistant arm	○	○
Ratchet gear type assistant arm	○	○
3-way syringe	○	○
High-volume evacuator & saliva ejector handpiece	○	○
Twin suction	○	○
Autoclavable holder outlet	○	-

Unit Body	Standard	VacPac (S6&S8 only)
Electric timed cupfiller & bowl flush	○	-
Sensored cupfiller & bowl flush	○	-
LED indicator	○	-
Rotating cuspidor bowl, porcelain	●	-
Water heater 24V	○	-
Water disinfection system	○ / S1&S3&S4 only	-
Clean water system with water tank	○	○ / Attached to Dr. side
Separator	○	-
Amalgam separator	○	-
Suction line clean system	○ / S3&S4&S6&S8 only	-
Flushing system without flushing tray	●	-
Flushing system (integrated type)	○ / S1&S3&S4 only	-
Monitor bracket	○	○
Service outlet for water / connector for water	○	-
Service outlet for air/ connector for air	○	-
Separated junction box	○ / S1&S3&S8 only	○

Light	EURUS LIGHT	900 LED LIGHT
Autoclavable detachable light handle	○	○
Patient mirror	○	○

Stool	
EURUS stool for dentist	○
EURUS stool for assistant	○