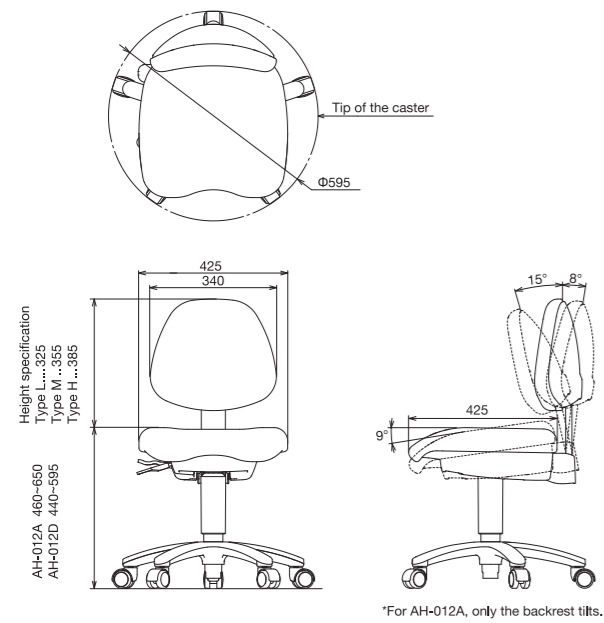


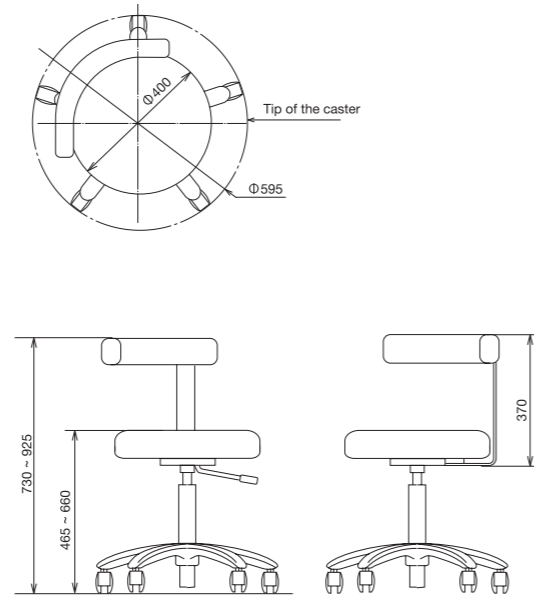
Dimensions

Unit : mm

■ EURUS STOOL



■ DH-007N



Belmont Stool



Doctor Stool

Comfort

Meets the needs of various treatment styles and supports healthy posture.



Doctor stool EURUS STOOL

- Seat height and tilt adjustment by gas cylinder.
- Bucket-shaped seat and backrest help treatment process over a long period.
- Tilt functions for backrest and seat are available. (Backrest and seat tilt separately.)
- Three casters with brakes prevent unexpected move.

[SPECIFICATIONS]

Model.....AH-012D
Weight..... 12 kg
Initial height/stroke..... 440/155 mm
Tilt control of the seat and backrest.....Manual operation



Backrest height choice

The height of backrest can be selected from 3 positions, 30 mm difference between each position, to support your healthy posture.



Casters with brakes

Brakes are available for 3 of the 5 casters to prevent the stool from moving unexpectedly when no load applied, which allows the doctor sit on the stool safely. When you sit on, the brakes will be unlocked. When you stand up, the brakes will be locked.



Tilt control

The seat and backrest tilt separately to maintain the ergonomic sitting posture. Seat tilt can be adjusted from horizontal to 9-degrees forward, sitting in ideal position to minimize pressure on thigh and support posture.

Assistant Stool



Assistant stool EURUS STOOL

- Seat height and tilt adjustment by gas cylinder.
- Bucket-shaped seat and backrest help treatment process over a long period.
- Tilt function for backrest is available.
- Three casters with brakes prevent unexpected move.

[SPECIFICATIONS]

Model.....AH-012A
Weight..... 12 kg
Initial height/stroke..... 460/190 mm
Tilt control of the backrestManual operation



Assistant stool DH-007N

- Seat height adjustment by gas cylinder.
- Smooth and light touch operation for seat height adjustment by hand lever.
- Simple and easy mechanism makes added flexibility possible.

[SPECIFICATIONS]

Model.....DH-007N
Weight..... 10 kg
Initial height/stroke..... 465/195 mm
Armrest/backrest rotation ...360° by Manual operation

Color variations

The colors come in four themes: warm, cool, earth and vitamin. Any choices from these leather colors should match the interior appointments of your clinic.

	Warm Color						[Luxury]	
	Coral Pink	Light Pink	Beige	Camel	Bordeaux	Black	Black	Dark Blue
	Cool Color						[Luxury]	
	Mint Blue	Indigo Blue	Light Blue	Purple	Light Gray	Gray Teal	Maroon	England Green
	Earth Color						[Luxury]	
	Rose	Mauve	Forest	Aldo Blue	Ash Gray	Chocolate	Orange	Camel
	Vitamin Color						[Luxury]	
	Scarlet Red	Mandarin Orange	Lemon Yellow	Yellow Green	Sky Blue	Blue	Mustard Yellow	Ivory