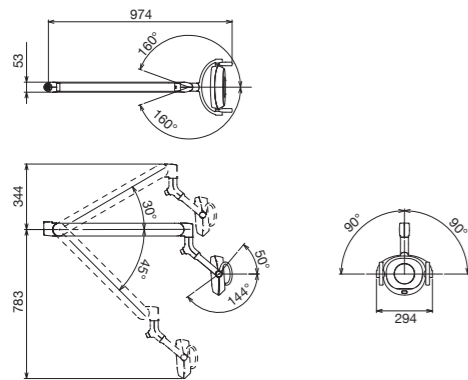


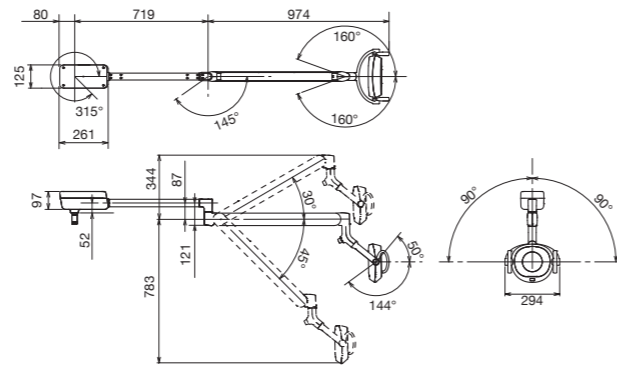
Dimensions

Unit : mm
Tolerance in dimensions : ±10%

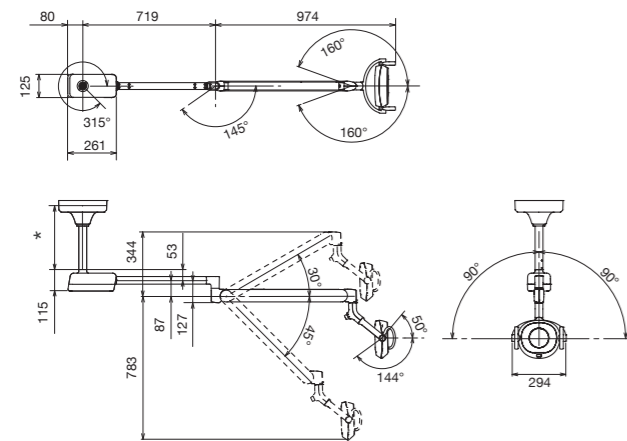
■ Unit Mount (AL-D109W)



■ Post Mount (AL-D101W)

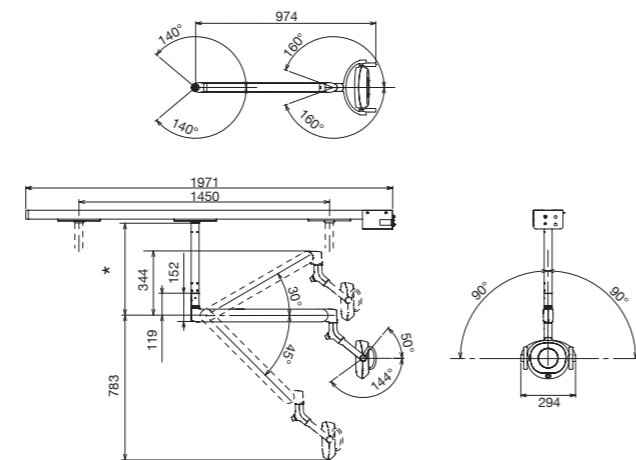


■ Ceiling Mount (AL-D102W)



*Select suspension tube length based upon ceiling height.

■ Track Mount (AL-D105W)



*Select suspension tube length based upon ceiling height.



EURUS LIGHT



Name of Component : EURUS LIGHT

Brightly & Gently

EURUS LIGHT—the next-generation LED lighting fixture (conforming to ISO9680), capable of giving off light with variable intensity from 3,000 to 28,000 luxes, reproduces natural light with a high functional color rendering capacity. With the touchless sensor, the light can be turned on and off and the composite mode can be adjusted.



Installation Variations



AL-D109W Unit Mount



AL-D101W Post Mount



AL-D102W Ceiling Mount



AL-D105W Track Mount



Flexible lighting

The Belmont spring arm allows the light to be moved around and stay exactly where it is desired so that the dentist/dental assistant can start treatment without delay. The arm covers a wide area, including the maxillary and mandibular areas of the patient, for sufficient illumination.



Stay clean

The lens cover can be removed with a single lever action for easy cleaning.

Specifications

Rated voltageDC 19 V
 Rated input..... 1.3 A
 Operation modeContinuous operation
 Light source6 LED lamps
 Optical performance.....Standard irradiation distance: 650 mm



■ In treatment mode
 Central illuminance: 3,000–28,000 lx
 Correlated color temperature: 5,000 K



■ In Composite Safe mode
 (Compliant with ISO 9680: 2014 5.2.10)
 Central illuminance: 9,000 lx
 Correlated color temperature: 2,700 K

Illuminance patternPattern dimensions (length x width): 85 x 155 mm
 Color rendering indexMore than 90

Options



Patient mirror