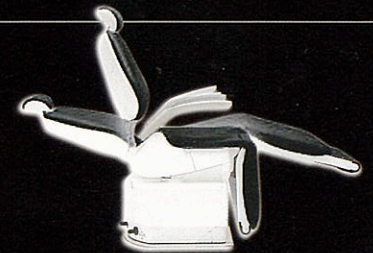


Pedestal Type
New Dental Chair "CLAIR"



The newly designed, pedestal type cuspidor unit has no umbilical: this eliminates the need for a utility box, making for a tidier appearance and easier clean.

CLAIR Dental Chair
New, folding legrest dental Chair



The ergonomic, AXIS mechanism backrest supports the patient perfectly and accommodates the natural movements of the patient's body.



The axis power headrest adjusts smoothly and holds the patient's head for maximum viewing of the oral cavity.



Twin Axis headrest (option)

The CLESTA II Pedestal type dental unit meets the new folding legrest chair, CLAIR. This reflects our total dedication to product excellence and our aim to meet the needs of the new generation dental clinics.

The CLESTA II Pedestal dental unit offers Patient Over Arm type and Split Cart type. There are three dynamic hand instrument delivery systems available: Holder, Place or Rod types. These contain all CLESTA II equipment and allow the dentist to fully utilize any techniques.


This new dental unit and chair pairing offer various combinations to choose from: these choices make it possible to improve working efficiency and enhance the appearance of each dental surgery.

Seamless upholstery with Soft-Touch fabric and smooth & silent movement provide "stress free" with patient.




CLAIR Chair
Initial height : 450mm(500mm EU spec.)
Stroke : 265mm

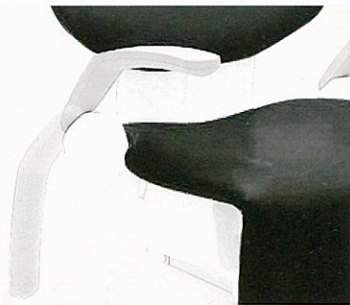
The Joystick switches enable the operator to position the patient quickly and correctly, staying hand free and clean.



Comfort backrest enables easy access to the patient.

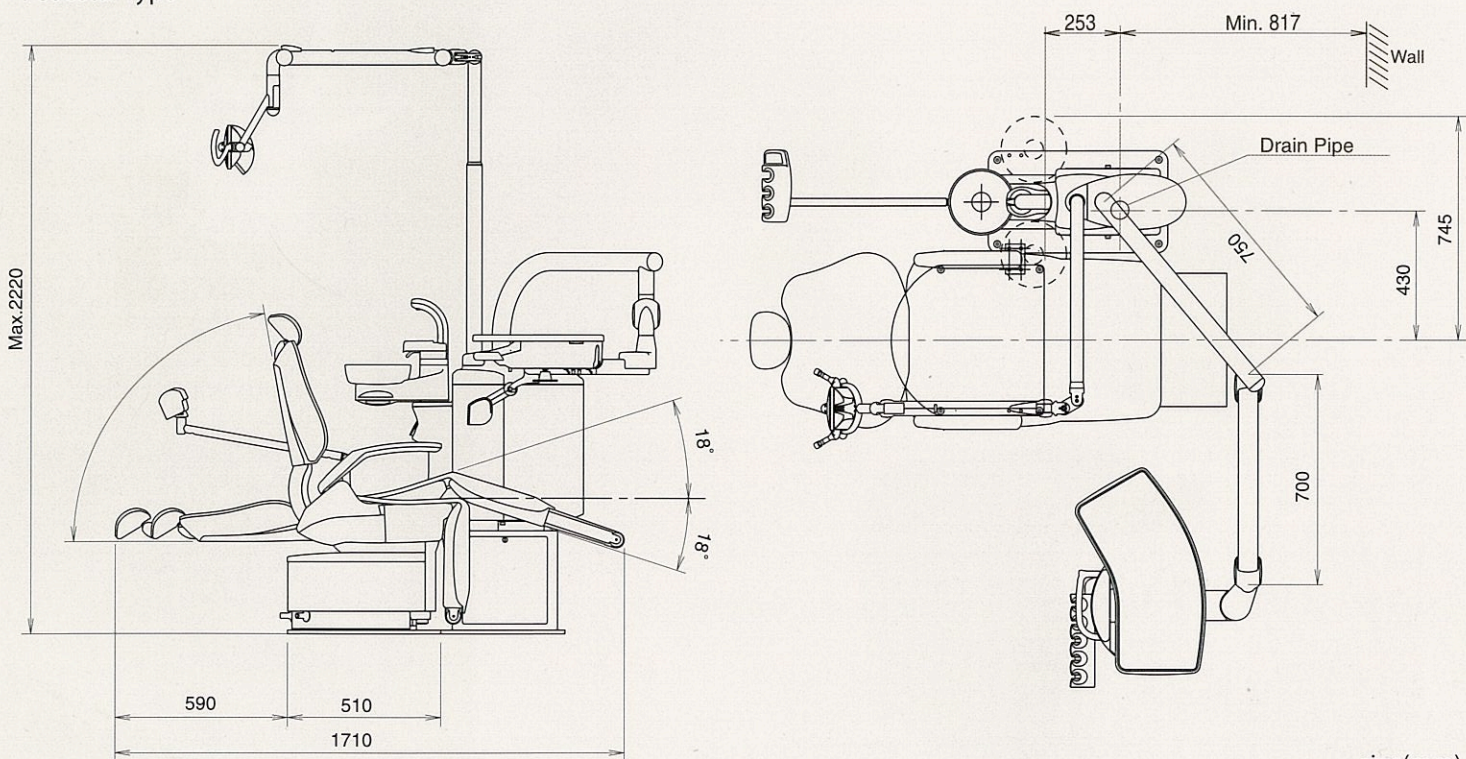


Roll-out armrest provides more secure for especially elderly patients, and barrier free to access from wheelchair for handicapped.



Dimensions(Scale 1:25)

Pedestal Type



TAKARA BELMONT CORPORATION

1-1, 2-Chome Higashi Shinsaibashi Chuo-ku Osaka Japan 542-0083

Tel: +81 (0) 6 6213 5945 Fax: +81 (0) 6 6212 3680

E-mail:belmont7@belmont-corp.co.jp

www.takara-net.com