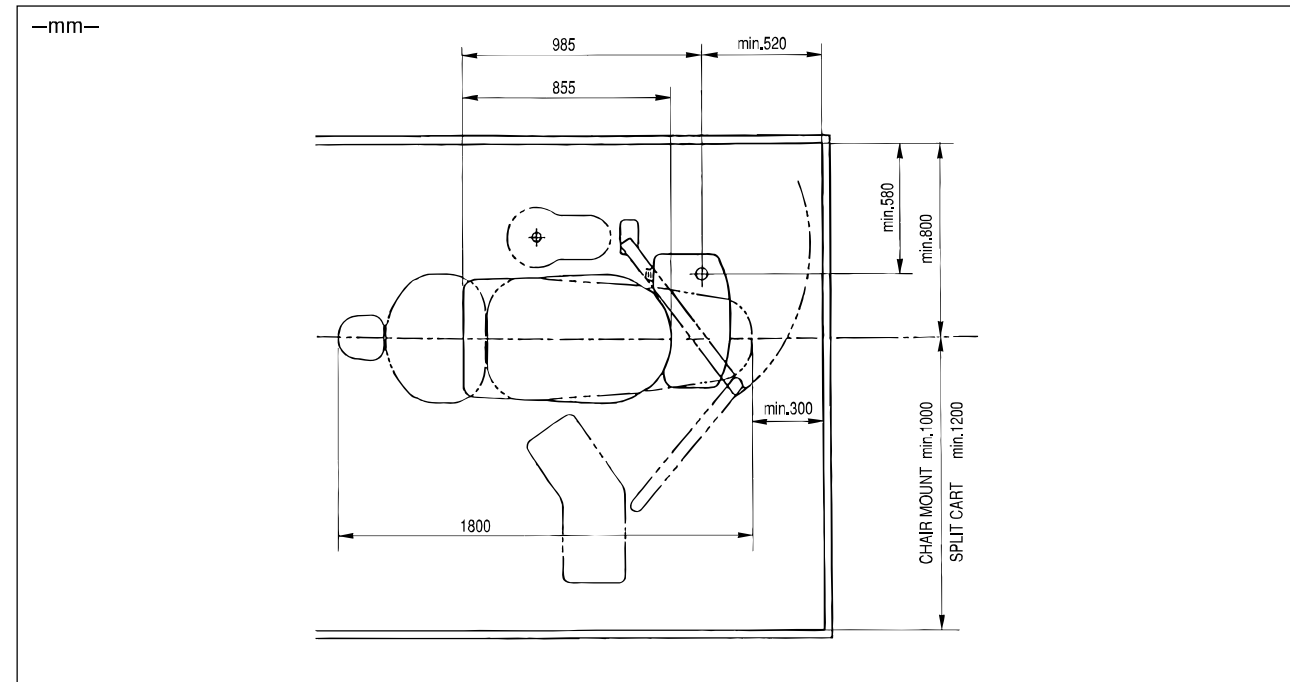
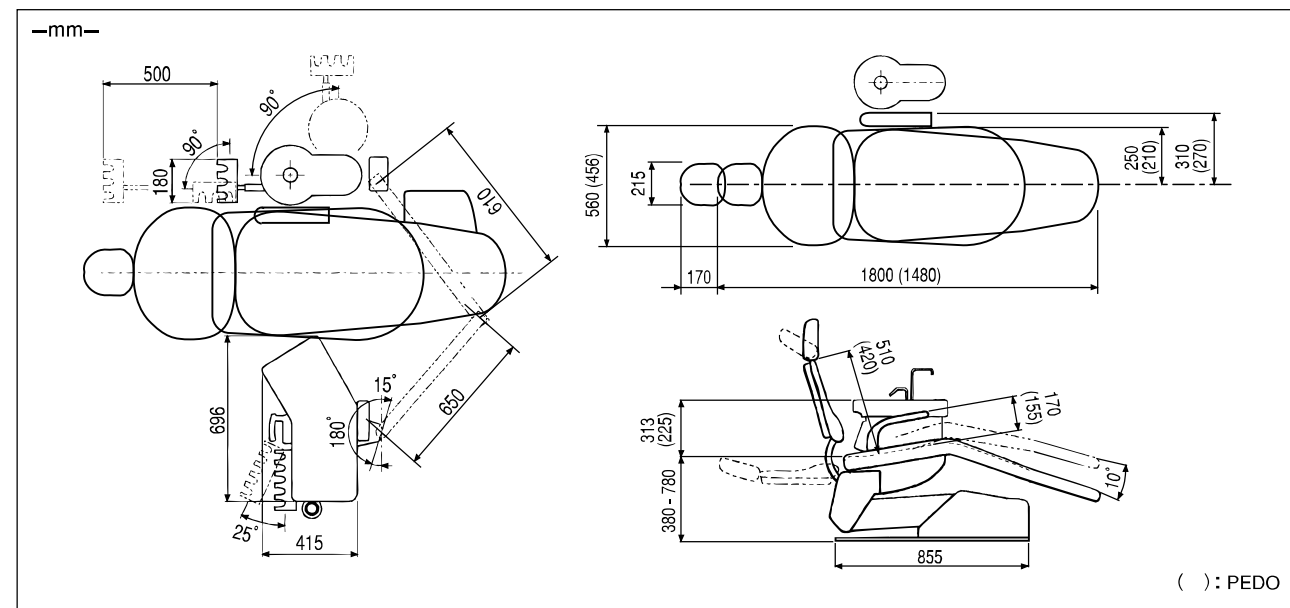


## Location



## Dimensions



## Specifications

CHAIR		UNIT (C.MOUNT & S.CART)		LIGHT	
POWER INPUT	AC 115V/220V/230V/240V (50Hz) 5.0A/2.0A/2.2A/2.3A (60Hz) 4.1A/2.2A	POWER INPUT	AC 115V/220V/230V/240V (50Hz) 1.7A/0.9A/0.9A/0.8A (60Hz) 1.7A/0.9A/0.9A/0.8A	POWER INPUT	AC 115V/220V/230V/240V (50Hz) 0.57A/0.32A/0.29A/0.28A (60Hz) 0.57A/0.32A/0.29A/0.28A
WEIGHT(NET)	140Kg	WEIGHT(NET)	64.8Kg(C.MOUNT)/65.7Kg(S.CART)	BULB TYPE	Tungsten Halogen Type(JA24V60W)
INITIAL HEIGHT	380mm	PRIM. AIR PRESSURE	MIN. 4.5Kgf/cm <sup>2</sup> ~MAX. 5.0Kgf/cm <sup>2</sup>	LIGHT OUTPUT	High 28,000 lux Medium 22,000 lux Low 15,000 lux
STROKE OF ELEVATION	400mm	PRIM. WATER PRESSURE	MIN. 1.0Kgf/cm <sup>2</sup> ~MAX. 2.0Kgf/cm <sup>2</sup>	COLOR	5,000 Kelvin
ANGLE RANGE OF BACKREST	-5°~+70°	AC 24V		TEMPERATURE	Light 1700K×190mm at 750mm

The manufactures reserve the right to alter and improve the specification without notice.

Belmont®

Printed in Japan 2001.07MA



# CLESTA

## DENTAL SYSTEM



Belmont®

*AN EASIER WAY TO INFECTION CONTROL*



# CHAIR

Clesta chair offers many features which enhance an easy atmosphere and a clean, pleasant surgery or clinical area.

2 separate chair programmes and last position memory(LP) for simple and convenient patient positioning. Easy-Clean Seamless upholstery.



400mm wide range of the stroke offers a practical working environment meeting all the operator's requirements.



Beautifully shaped and easily cleanable seamless upholstery creates utmost patient and dentist comfort.  
( Right armrest and reversible headrest for children are optional.)



AXIS backrest prevents the patient's back from sliding. The synchronous movement of back and seat perfectly fits the patient's body.



Safety cut-out switch under the base checks downward movement instantly stopping the chair in emergencies.



CLESTA  
P · E · D · O

The dental chair CLESTA PEDO has been designed for use with children.



with Chair Mount Unit



Optional Features  
Right side armrest ensures that patient is more comfortable and relaxed. Reversible headrest offers more flexible head positioning.

# UNIT

A comprehensive assistant's centre including 3-way syringe, high volume evacuation, saliva ejector.

An extendable arm brings all facilities within easy reach of assistant and doctor.

Design simplicity, durable materials plus functional reliability, all add to the unique aseptic style and concept of Belmont Clesta.



Easy-to-clean central switch panel for the control of cupfiller, bowl flush and all chair movements. The air lock arm release button is conveniently located to the left of the handle.



Adjustable angle standard monoblock handpiece holder with optional facility for extra handpiece.



Panorama Viewer:  
Ideal for explaining treatment to a patient and watching a film of treatment in progress. (Option)

Light and responsive foot controller:  
"Hands-free" operation of the chair eliminates the risk of cross contamination. (Option)



Mobile Dr. Cart, which is handily designed to arrange instruments on the side of the chair within easy reach, covers a wide range of the dentist's treatment area so that the dentist may flexibly obtain the best position according to the dentist's preference. Patient's easy access to the chair. (Wide tray is optional)

# LIGHT iO 5000

Approximating the ideal white of natural daylight. Color shade matching, with color temperature in the 5000° K range, will offer a more accurately perceived color of an object.

Unique sensor switch allows touchless on and off of the light.



Smooth, balanced movement. Lightweight, long arms provide for easy positioning and greater reach. IO 5000 can be mounted on the unit or ceiling. Track light system is also available.



A movement of the hand, beneath the switch, turns the light on and off, offering protection to the dentist and assistant from the risk of cross-contamination.

Three-position controller located in the rear of the light head enables the selection of three intensities, low, medium or high which eliminate any variations that might cause eye fatigue.



The highly durable porcelain bowl and cuspidor top creates for the patient an attractive and aseptic environment. Soft touch switches control the cupfiller and bowl flush.

The vacuum and saliva ejector tubings are simply detached for easy cleaning.



Newly designed Utility Box neatly combines with chair base.