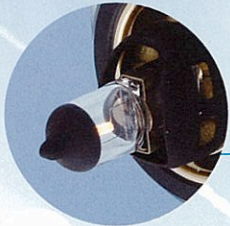


Dental Light

701

Designing a new dental light with good optical capability, maneuverability and design with reasonable cost is the basic concept behind 701



Easy to replace new halogen lamp

The three-position controller enables the selection of composite safety mode to prevent premature curing and two intensity modes, low and high for proper oral cavity illumination

Comfort grip handles facilitate preferred positioning

Compact and Sleek design light head

Touchless sensor activates the hands free on and off operation, offering reduced risk of cross contamination

Options

Detachable Handles



Autoclavable and easy to remove.

Mirror



Adjustable angle of the patient mirror to look inside mouth.

Manual Switch



Manual Switches for on-off and three-positions control, low/high and composites mode.



Unit Mount Light Model; 720S

The unit mount lights offer a great option for smaller surgeries.



Ceiling Mount Light Model; 702S

The ceiling mount lights offer a wider space for operating area.



Track Light Model; 705S

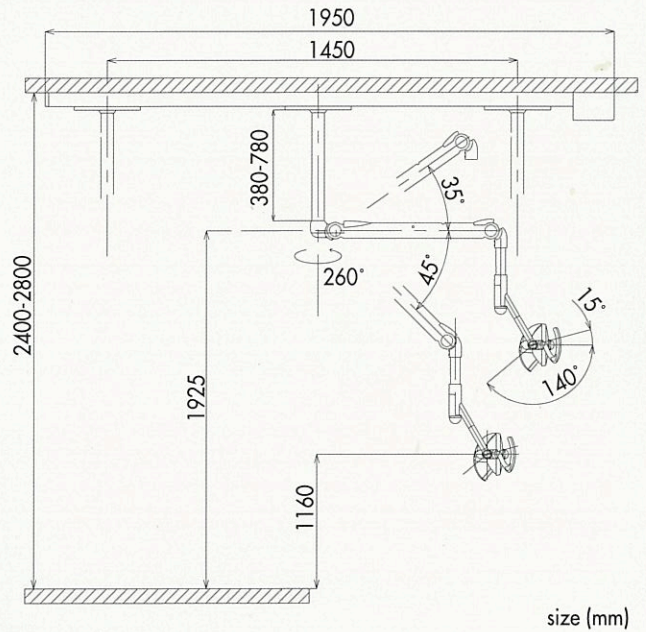
The track lights offer additional flexibility for larger surgeries.

Specifications

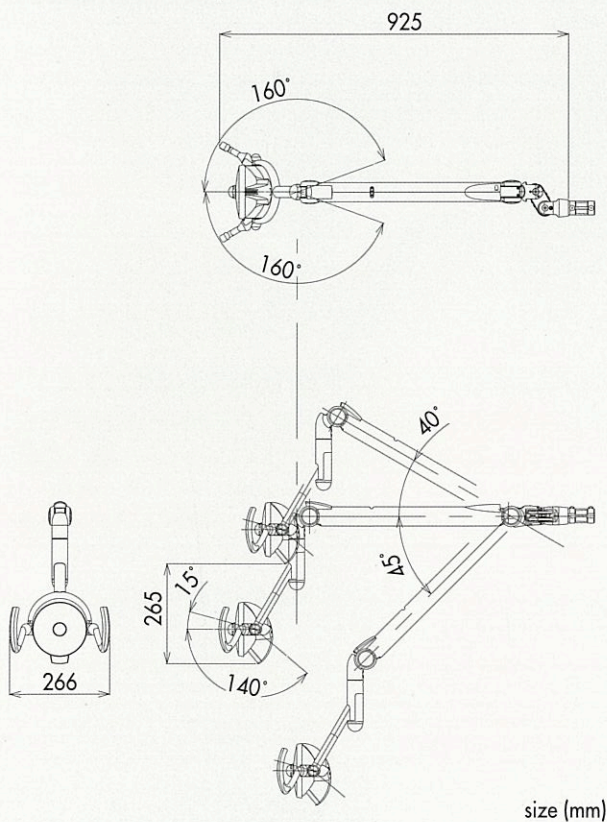
Light Pattern	220mm x 85mm at a focal distance of 650mm		
3-Position Intensity Switch	High Intensity	Low Intensity	Composite Mode
Light Output	28,000 lux	18,000 lux	8,000 lux
Color Temperature Range	4200°K	4000°K	3600°K
Output Voltage	11.7V	10.2V	8.1V
Input Voltage	100/115/120V & 220/230/240V 50/60Hz AC		
Bulb Type	12V, 55 Watt Tungsten Halogen		

* 1 Spare Bulb included

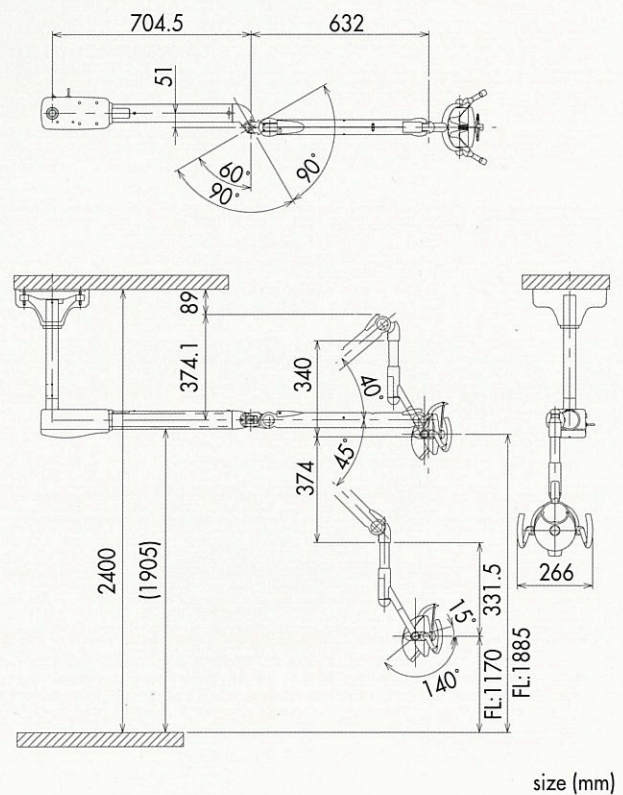
705S Track Light



720S Unit Mount Light



702S Ceiling Mount Light



TAKARA BELMONT CORPORATION

1-1, 2-Chome, Higashi Shinsaibashi, Chuo-ku, Osaka, Japan 542-0083

Tel: +81 (0)6 6213 5945

Fax: +81 (0)6 6212 3680

E-mail: belmont7@belmont-corp.co.jp

www.takara-net.com